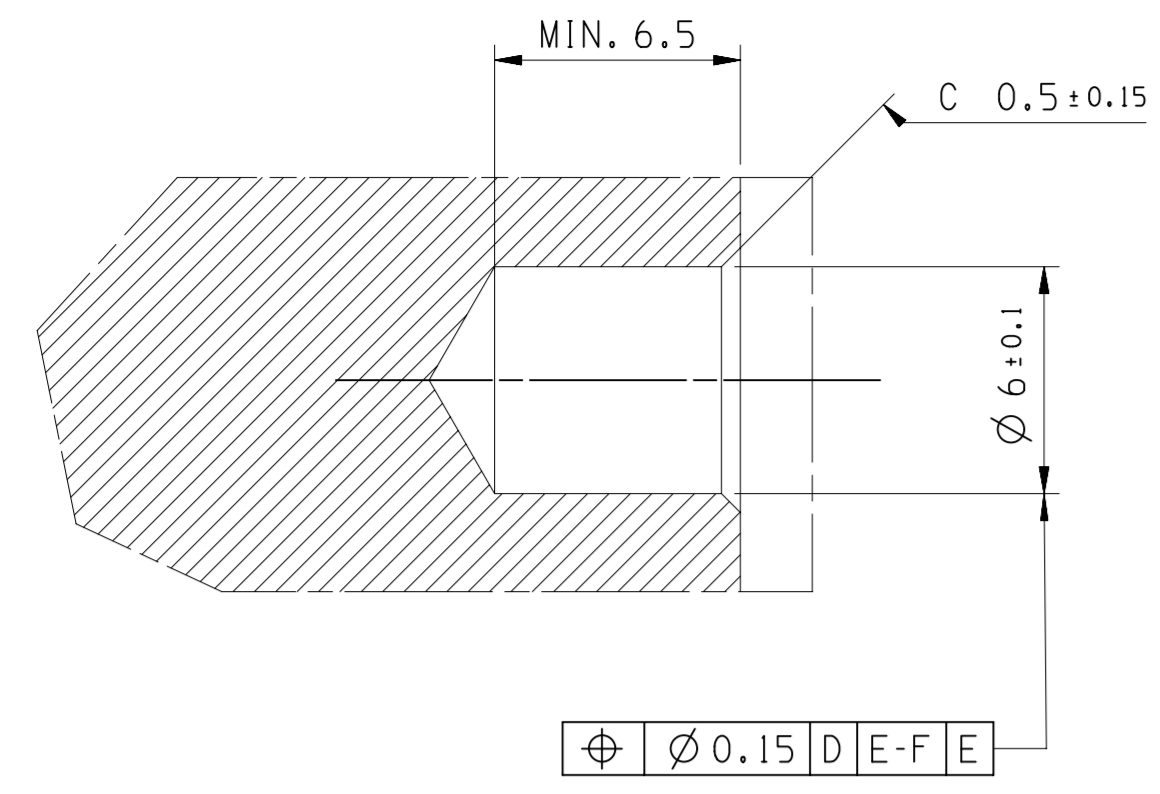
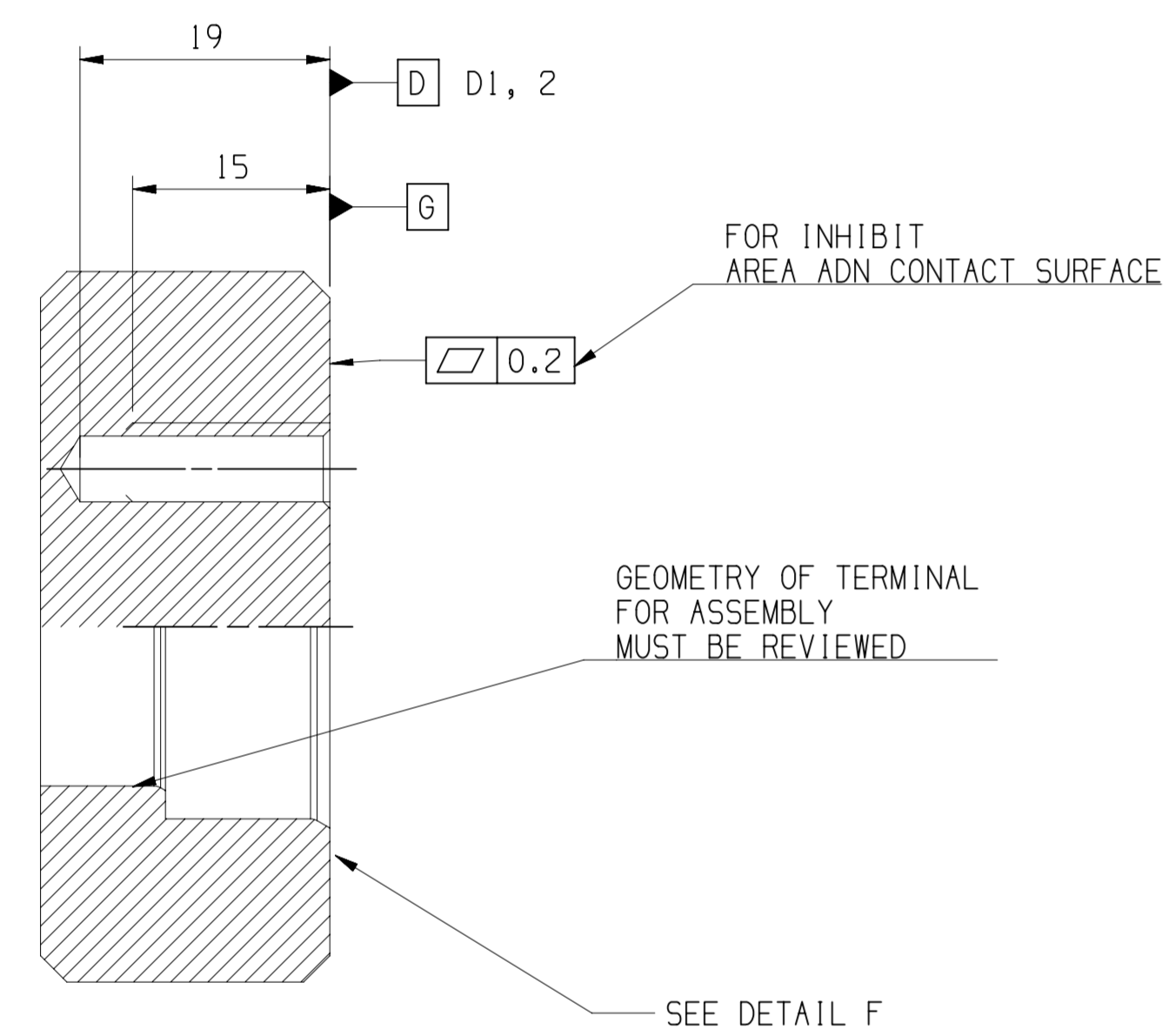


DWG STATUS				ZONE	REVISION HISTORY		AUTH	DR	APVD1	APVD2
DATE	STG	REV	N/P	CHG						
24MY18	R	01	-	-	WAS PE412796		444791	LG	AYZ	TY

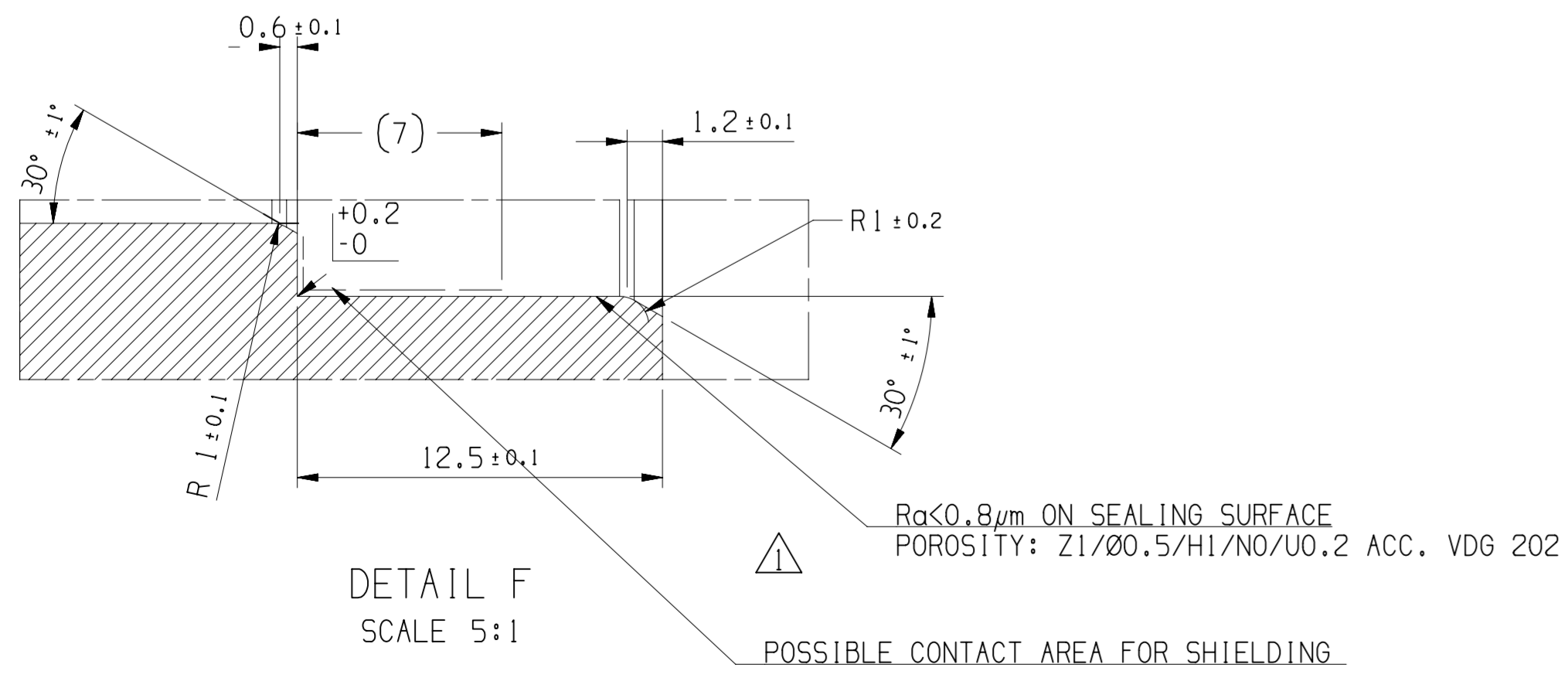
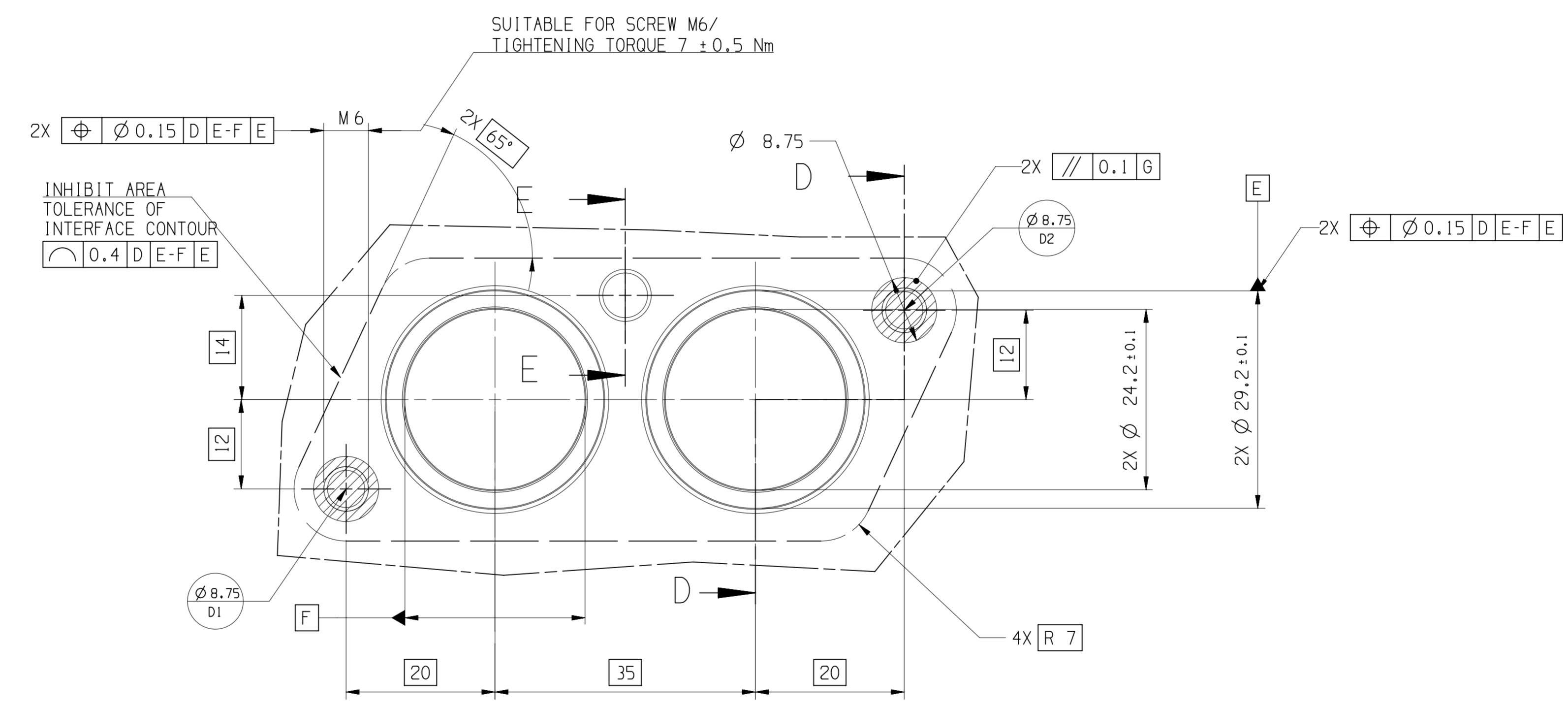


SECTION E-E
SCALE 5:1

HV 2WAY SPECIAL
2 SCREW HOLES



SECTION D-D



DETAIL F
SCALE 5:1

NOTES:

- REFERENCE PLANE CORRELATES TO THE UNREELD GIRTHED SURFACE OF THE DRILLED HOLE IN THE SEALED AREA
- REQUIREMENT (EMC, SHIELD CONTACT RESISTANCE, ETC.) TO BE MET ACC. TO 35219981-CUS74-S01.
- NON-SPECIFIED RADII MAX. R=0.5MM
- ALL SYMMETRIC DIMENSIONS $\frac{0.1}{\text{M}}$
- MINIMUM CLEARANCE AND CREAPAGE DISTANCES MUST BE CHOSEN ACC. TO DIN EN 60664-1.01/2008, AND IS IN THE RESPONSIBILITY OF THE USER

(N/A)	PROCESS SENSITIVE DIMENSION
DIMENSIONS ENCLOSED IN () INDICATE REFERENCE DIMENSIONS AND NO TOLERANCE LIMITS ARE ESTABLISHED	
FROM	CHART D
TO	> 12
TOLERANCE UNLESS OTHERWISE SPECIFIED	
+0.1	+0.2
ANGULAR TOLERANCE ±2°	

A LINE DRAWN THROUGH A PART NUMBER INDICATES THAT PHYSICAL PARTS ARE NOT AVAILABLE FOR ORDERING.	
PART NUMBERS THAT DO NOT HAVE A LINE PRESENT INDICATE THAT PHYSICAL PARTS ARE AVAILABLE FOR ORDERING.	
CONTACT APTIV SALES TO ASSURE AVAILABILITY OF PARTS.	
DWG TYPE: CUSTOMER PART DRAWING	
STYLE	
VOLUME (CM)	DISTR CODE: D
UNLESS OTHERWISE SPECIFIED	
THIS DOCUMENT IS IN ACCORDANCE WITH ASME Y14.5M-1994 AS AMENDED BY THE GM GLOBAL DIMENSIONING AND TOLERANCING ADDENDUM-2001. SEPARATE PATTERNS OF FEATURES MAY BE GAGED SEPARATELY REGARDLESS OF DATUM REFERENCES.	
ALL DIMENSIONS ARE IN MILLIMETERS	
THIRD ANGLE PROJECTION	DO NOT SCALE
USE MATH DATA	NX
REFERENCE: 33376479-CDE01-S04	

• APTIV •
CONNECTION SYSTEMS
Anting, China
COPYRIGHT 2018 APTIV. ALL RIGHTS RESERVED.

THIS DRAWING IS THE PROPERTY OF APTIV AND CONTAINS APTIV CONFIDENTIAL INFORMATION. THE REPRODUCTION, DISTRIBUTION AND UTILIZATION OF THIS DOCUMENT OR ITS RELATED CAD MATH DATA, AS WELL AS COMMUNICATION OF ANY CONTENT TO OTHERS, WITHOUT EXPRESS AUTHORIZATION, IS PROHIBITED.

DR	DATE
APVD1 LINK GAO	24MY18
APVD2 ANYANG ZHANG	24MY18
APVD3 TIMON YU	24MY18
APVD4	
APVD5	

SUBSTANCES OF CONCERN AND RECYCLED CONTENT PER APTIV 10949001

MATERIAL SUGGESTED: AL 6082

DRAWING NAME: TAXI KIT

DRAWING NUMBER: 35219981

SIZE: A1	SCALE: 2:1	FRAME NO: 1 OF 1	SHEET NO: 1 OF 1	STG: R	REV: 01	N/P: -
----------	------------	------------------	------------------	--------	---------	--------